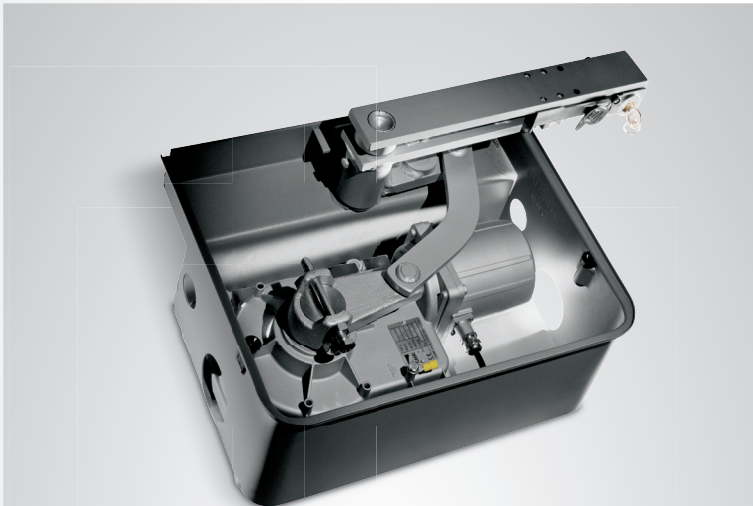




Invisible Solution for Ornamental Swing Gates



LiftMaster®, the industry leader in gate access systems in North America, has partnered with Italian manufacturer CAME Access Automation. The integration of LiftMaster's Security+ 2.0™ radio technology with CAME's sleek Italian design allows us to offer a complementary line of residential gate operators backed by our unmatched sales and service support.

The Frog Residential Underground Swing Gate Operator is ideal for ornamental swing gates. Installed below grade in a waterproof casing, and protected by a steel access plate that is flush with the driveway surface, it provides an invisible solution.

The Frog offers all the advanced features you demand:

LiftMaster® Security+ 2.0™ radio technology

2x the range of standard remotes

On-board receiver provides a single remote solution for gate and garage access

Ultra-reliable, maintenance-free direct gear drive system; watertight motor provides unmatched reliability and quiet operation

24V DC motor with soft stop moves a gate up to 11.5 ft. or 1,770 lbs.

Adjustable speed control moves gate with precision

Simple manual disconnect for emergency operation

Timer-to-Close automatically closes the gate after preset time

For single and dual gate applications



CAME

by

LiftMaster®

Specifications

Power: 120V AC, single phase

Motor power:
24V DC continuous duty

Accessory power output:
24V AC, 2 amps

Receiver: Security+ 2.0™, holds 50 transmitters, HomeLink® compatible*

Surge suppression: On high and low voltage inputs

Operator duty cycle rating:
25 cycles per day

Gate travel speed: 90-degree opening adjustable in 16-45 seconds

Temperature specifications:
-4°F to 131°F (-20°C to 55°C)

Warranty:
3 years for residential applications

*May require an external adapter depending on the make, model and year of your vehicle. Visit www.homelink.com for additional information.

Construction

Cover: Galvanized steel

In-ground casing: Coated steel

Operator motor casing:
Cast aluminum

Shipping weight:
FROG 1PKG Master Kit
- Motor assembly, underground casing, lever release, control box: 78 lbs.

FROG-S: Secondary Kit
- Motor assembly, underground casing, lever release: 62 lbs.

ETL listed: ETL-approved and compliant with standards UL-325 for U.S.A. and CSA C22.2 #247 for Canada.

IMPORTANT: To be compliant with UL-325 and industry safety guidelines, qualified secondary entrapment devices such as photo-eyes or sensing edges are required to be installed with this gate operator.

Add to Your System



DIR10M: CAME thru-beam photo-eyes, 32.8' sensing distance, NC contact



DIRL: CAME extruded 16.5" aluminum photo-eye mounting post with base



DIRZ: CAME photo-eye aluminum alloy impact cover



LD7LP: LiftMaster® low-power loop detector



895MAX: LiftMaster® 3-button premium Security+ 2.0™ remote control



890MAX: LiftMaster® 3-button mini Security+ 2.0™ remote control



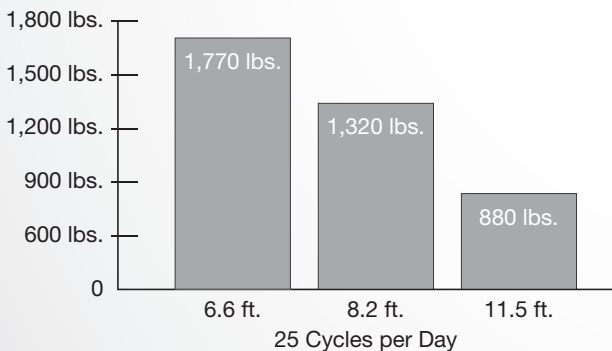
TAC1: LiftMaster® telephone entry system



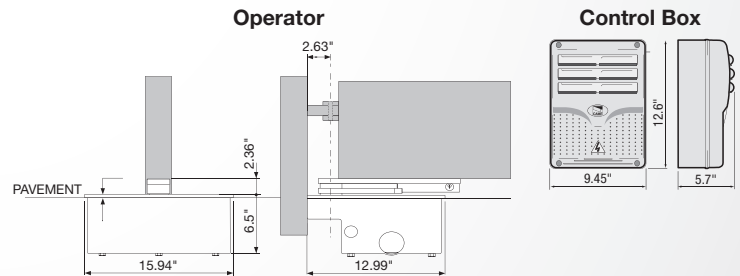
EL25: LiftMaster® telephone entry system

Recommended Capacities

Swing Rating



Dimensions



CAME by **LiftMaster**

THE CHAMBERLAIN GROUP, INC.
845 Larch Avenue
Elmhurst, IL 60126
LiftMaster.com/CAME

LMCMCAFROG
Printed in U.S.A. 05/13
©2013 The Chamberlain Group, Inc.



Follow us on Facebook, Twitter and YouTube!

